

GoldenEar™



Invisa® HTR 7000 & 8000

Invisa In-Ceiling Home Theater Reference Loudspeakers

Owner's Manual



Congratulations!

Congratulations and thank you for purchasing GoldenEar's™ Invisa® HTR 7000/8000 speakers! You are about to hear the spectacular difference these very special FocusField Technology In-Ceiling speakers will make in your music and/or home theater system!

Our engineers' many years of experience in developing loudspeakers has led to these extraordinary products. In order to ensure that you experience maximum performance, please take a moment to fully read this owner's manual and familiarize yourself with the unique installation, assembly and set-up procedures for your Invisa HTR 7000/8000 speakers-based music and home theater system.

Please visit our website at www.GoldenEar.com for more information on the technology behind your new speaker system. If you have additional questions, contact your Authorized GoldenEar™ Dealer or visit the Q&A page in the Tech Support section of our website.

Your New GoldenEar Speakers

GoldenEar Invisa HTR 7000/8000 in-ceiling speakers are designed to fit beautifully in a wide variety of applications. Their low-profile grille and nearly invisible design allows for perfect integration in a wide variety of locations within your home. To get the best performance possible and for a product that lasts a lifetime, we strongly recommend that you follow the placement and setup guidelines provided in this manual.

Cleaning

Do not use a strong or abrasive cleaner on your new speakers' grilles. Clean them only with a damp cloth, but do not get them wet.

Preventing Speaker Damage



USE AN APPROPRIATE AMPLIFIER. At high volumes a very powerful amplifier can overdrive your speakers and damage them. And if the amplifier is not powerful enough, it can produce distortion that can easily damage your speaker. (Consult your dealer for assistance.)



DON'T BE FOOLED BY YOUR RECEIVER'S VOLUME CONTROL. It only adjusts listening level; it is not an indication of power output. If your speakers begin to sound harsh or grating or if you hear other forms of distortion, turn down the volume immediately!



Avoid use of tone controls and loudness controls as they will demand even more power from an amplifier, lowering the volume at which damage could occur.

GoldenEar Invisa HTR 7000/8000 speakers are efficient and can be driven to loud listening levels with moderate amplifier power. They are also able to handle the output of very powerful amplifiers. To prevent damage to your speakers, please read all of the following guidelines before hooking them up.

Amplifier Distortion — #1 Threat to Your New Speakers!

Amplifier distortion is the principal cause of speaker damage. When listening at loud levels your amplifier may run out of clean power. It will then begin to produce speaker-damaging distorted power. This will damage any brand of speaker very quickly! More powerful amplifiers are actually safer. For example: A 40 Watt/channel amplifier will have substantial distortion above 40 Watts. If driven to 50 Watts, this amplifier will deliver speaker-damaging distorted power! But a 100 Watt/channel amplifier will have very low distortion below 100 Watts. Therefore, when the speaker requires 50 Watts, this more powerful amplifier will deliver clean power and speaker damage is less likely to occur. (See your GoldenEar dealer for amplifier recommendations.)

Volume Setting

Do not be fooled by the Volume setting of your receiver/preamplifier. It only adjusts listening level — it is not a “power-output” dial. The amount of amplifier power actually used at a given Volume setting depends solely on the nature of the source material you are listening to (at a given Volume setting a quiet section of music will use less amplifier power than a loud section). With typical material, the rated output power of many receivers/amplifiers is often reached when the Volume is set to around -10dB, or between the “11” and “1 o'clock” settings with an analog control (with bass/ treble and loudness controls not used — otherwise rated power may be reached at even lower Volume settings). Remember, all amplifiers produce distortion when operated beyond their rated output power. The resulting distortion will damage all speakers! If you listen at loud levels, be careful to listen for the point of audible distortion — if the speakers begin to sound distressed, turn the Volume down or your speakers and/or amplifier(s) will be damaged! This type of damage constitutes abuse and is not covered by the warranty. If louder volumes are desired, consider a more powerful amplifier.

There is Actually a Limit!

Even with these safer, more powerful amplifiers, there is a point at which you could have more power than the speaker can handle. At that point you will overpower the speaker and damage it. At loud levels do not increase bass/treble controls from zero and ensure that all loudness/contour/bass EQ buttons are off (otherwise rated output power will be reached at even lower volume control settings).

The Right Amount of Power

A power-range rating is given in the specifications as a guide to indicate the approximate minimum and maximum power input of your GoldenEar Invisa HTR 7000/8000 speakers. Amplifiers that meet or even exceed the speaker's power-range rating are recommended as their greater power reserves provide better sound. But always use the speakers within their power-range rating to prevent damage — that is, keep listening levels below the point of obvious audible distortion.



Speaker Placement

GoldenEar Invisa HTR 7000/8000 speakers are designed to allow flexible placement while providing a very large window of sound throughout your listening room. Please remember that although the following recommendations are usually valid, all rooms and listening setups are somewhat unique, so do not be afraid to experiment with the speakers. Remember, whatever sounds best to you is correct.

Room Acoustics

GoldenEar Invisa HTR 7000/8000 speakers are designed to provide exceptional sound in a wide variety of domestic settings. It is important to note however that listening room construction, dimensions and furnishings all play a part in the quality of sound you will ultimately achieve from your new speakers. The listening room will impose its own character on the performance capabilities of the speaker system. Regarding the room, please note that:

- Mid and high frequencies are affected by the amount of soft furnishings in your room — curtains, carpets, sofas, wall coverings, etc. An excess of such items can result in a somewhat dull sound. The same room without any soft furnishings can produce an overall bright sound. The typical quantity of soft furnishings found in most living environments provides the right acoustic characteristics to allow the speakers to sound balanced;
- Concrete floors and walls tend to aggravate low-frequency standing wave problems and are less preferred;
- Rooms where height, width and length are similar can exhibit significant low-frequency standing wave problems. This may result in reduced clarity. In such rooms avoid corner placement to minimize acoustic problems.

The extra care you take in correctly positioning the speakers will result in greater listening enjoyment. So, keep the following guidelines in mind when deciding on the best speaker placement.

To ensure the best performance possible, observe the following placement guidelines:

LOCATION: When preparing to install your speakers pick a location that has the required clearance between ceiling joists. Make sure to check for wiring, conduit, water pipes, HVAC ducts and other obstructions before cutting the installation hole. When used as Main Left, Center and Right channels, the Invisa HTR 7000/8000 speakers are designed to project a sonic image in front of the listener, even though the speakers are positioned in the ceiling. This is achieved through our FocusField technology, which is optimized when the speakers are installed to achieve the correct height/distance geometry. The speaker is designed for optimum performance for a ceiling height range of 7'–10' (2m – 3m), with a seating distance range of 8'–20' (2.5m – 6m) from the seating location, although distances outside this range can still give good results. The taller the ceiling, the further the ideal distance, and vice versa.

ACCURATE TIMBRE: For the most accurate and natural timbre, make sure the speakers are located within the correct height/distance range (as outlined above), and rotated so the driver array is pointed at the center listening position.

BALANCED BASS: Placing speakers too close to side/back walls will over-emphasize bass and reduce overall clarity. If possible, position speakers at least 12" away from the side and back wall. This will ensure better balanced performance and optimal midrange clarity.

FOR BEST IMAGING: Measure the distance from your main listening area to the left front speaker (we'll call this distance "X"). For optimal imaging and largest soundstage, place the Left and Right speakers this "X" distance apart from each other (and no less than $\frac{3}{4}$ of that distance — so $\frac{3}{4}$ of "X" up to "X"). For Home Theater installations with Invisa HTR 7000/8000 speakers for L/C/R, place the center speaker directly above the center of your TV and the Left and Right speakers at equal distance (still "X" or $\frac{3}{4}$ "X"), as shown in Figure A below.

Placement Options For Invisa HTR 7000/8000 In-Ceiling Speakers

GoldenEar's HTR 7000/8000 in-ceiling speakers are designed for optimum performance in rooms with a 7'–10' (2m – 3m) high ceiling, although good performance is certainly possible outside of this range. Their unique "FocusField" design and construction allows them to "focus" the sound toward a specific area in much the same way we focus a floodlight to flood an area with light. The driver and tweeter used in the HTR7000/8000 are angled at approximately 30 degrees relative to the ceiling surface. For overall clarity and balanced bass performance, speakers should be mounted in the ceiling 12" (30 cm) or more from the walls.

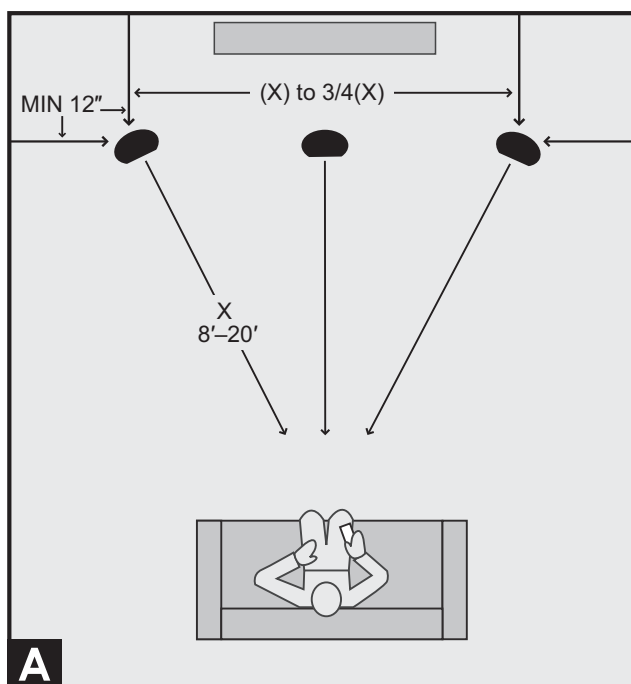
NOTE: Focusing the sound should be done after connecting the speaker but before final tightening of the lock arms. See "Fine Tuning the Invisa HTR 7000/8000 Speakers," below.

Invisa HTR 7000/8000 FocusField Front Left/Right Speakers (Fig. A)

Follow the general guidelines for speaker placement provided on page four and five, keeping in mind the distance from the front speakers to your primary listening area should optimally be between 8' to 20', as shown, with the driver array aimed toward the center of the listening area.

Invisa HTR 7000/8000 FocusField Center Speaker (Fig. A)

Position the center speaker between the L/R speakers, with the driver array aimed toward the center of the listening area.



Positioning Invisa HTR 7000s and 8000s as Left/Right/Center Fronts

Invisa HTR 7000-8000 Speakers as Surrounds/Rears (Figures B&C)

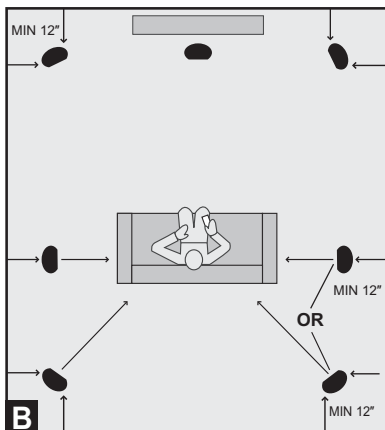
The Invisa HTR 7000/8000 speakers are also ideal for use as surrounds/rears. In this configuration, all channels are positioned with the driver array aimed toward the listening area. When used as surround speakers in a 5.1-channel system, Invisa HTR 7000/8000 speakers may be located to the side or behind the listeners. When used on the sides, take care never to locate the speakers forward of the listeners. If the speakers are installed behind as surrounds, it is suggested that they be positioned fairly wide apart if possible. Installation in the rear corners is also a good surround speakers location. Rear speakers in a 7.1-channel system should be placed fairly close together (4-6 feet) as shown. Use Fig. B as a guide to positioning as you experiment to achieve optimal surround sound in your room.

5.1-Channel Surround Placement (Figure B)

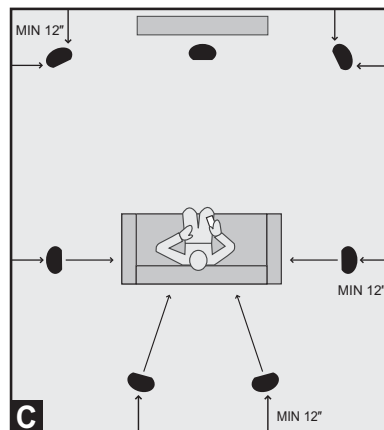
Position one speaker on either side of the listening area with the driver array aimed toward the center of the listening area as shown. Alternatively, position each speaker behind the listener and as far apart as possible.

7.1-Channel Surround/Rear Placement (Figure C)

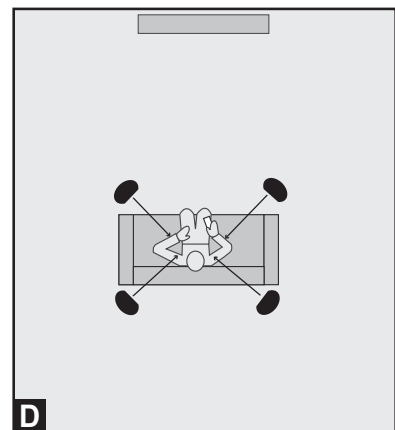
Begin with the 5.1-channel Surround Placement (as above), then position another pair of speakers behind the listening area, one slightly right, the other slightly left of the center listening position, with the driver array aimed toward the center of the listening area as shown.



Invisa HTR 7000 & 8000 5.1-Channel Surround Placement Options



Invisa HTR 7000 & 8000 7.1-Channel Surround Placement Options



Invisa HTR 7000 & 8000 Height Channel Placement

Invisa HTR 7000 and 8000 Speakers as HEIGHT Channels (Figure D)

The Invisa HTRs also make perfect Height Channel speakers for object-oriented surround formats such as Dolby Atmos and DTS:X. See figure D above for placement options. In this configuration, the speakers are to be located less than the minimum 8' from the listening area to preserve the "from above" location cues while eliminating "hot spots" caused by direct radiating models in rooms with low ceilings.

Fine Tuning the Invisa HTR 7000 and 8000 Speakers

Once you have decided on placement, install and connect the speaker following directions that follow. Before final tightening of the lock arms, rotate speaker until the driver array points in the desired direction. To readjust direction of sound, loosen lock arm screws (see installation instructions section below), rotate drive assembly until it points in the desired direction, then re-tighten lock arms.

Speaker Break-In

Your new Invisa HTR 7000/8000 loudspeaker system should sound good as soon as you turn it on; however, an extended break-in period of 40-60 hours or more of normal playing time is required to reach full audiophile performance capability. Break-in allows the driver suspensions to work-in and crossover components to “heal,” resulting in fuller and tighter bass, a more open “blooming” midrange and smoother high frequency reproduction.

Color-Match Painting (optional)

Your new Invisa HTR 7000/8000 in-ceiling speakers include a paintable “edgeless” grille that completely covers the installed speaker. The grille comes in a neutral white to blend with most areas, however, for the ultimate in “stealth” installation, they may be painted to match any decor. **PLEASE NOTE: Failure to follow the instructions below may result in a serious degradation of sound quality!**

Please Note:

- Do not paint the grille with a brush or roller — this will clog the grille's acoustic perforations and muffle the sound.
- It is not necessary to remove the backing cloth, or scrim, from the grille before painting.
- Do not heat cure the finish.
- Do not paint the grilles while attached to the speaker.

To paint, follow these steps:

1. Remove the grille from the speaker and place it on a drop cloth.
2. Spray paint the grille using:
 - i. A spray paint that closely matches the color and shine desired.
 - ii. A custom-made spray can, color matched to your paint finish.
 - iii. The indoor latex paint used to paint the ceiling or wall, but diluted to the paint manufacturer's/ spray gun manufacturer's recommendations.
3. In a well-ventilated area, apply multiple thin coats of paint, sprayed at about a 60 degree angle from the grille's surface, letting the grille dry for 10 minutes between coats. Follow the paint manufacturer's directions.
4. To insure the paint is evenly applied, each coat should be applied from multiple directions (at least four) following directions in step 3.
5. Once the painted grille has dried completely, if necessary you can use a brush or small roller to touch-up the grille's outer edge — just be careful not to get any additional paint on the grille's perforated surface.

Installation Instructions

Installation of your new Invisa HTR 7000/8000 speakers requires use of tools such as a drill, screwdriver, saws and possibly other power tools. The installer should have knowledge of all applicable building and/or fire codes. Care must be taken to ensure the area behind the wall or ceiling where you plan to install the speakers is clear of obstructions. When cutting the hole in and running wires through walls and/or ceilings proper care must be taken to avoid electrical, water, gas and/or HVAC pipes and the corresponding risks to your safety and risk of damage to property.

If you are not comfortable with the above and/or performing the following installation procedures we strongly suggest having a professional contractor install your speakers (see your GoldenEar Dealer).

Tools Required:

- Pencil
- Drywall saw, Keyhole saw, utility knife or other material-appropriate cutting tool for wall material
- Phillips Head Screwdriver
- Power drill with appropriate bit (optional, for starting wall cut)

Installation Into Existing Walls or Ceilings

For new construction (pre-drywall), use our custom rough-in brackets, sold separately.

NOTE: You must first install appropriate speaker cables. For the best sound quality, the use of high-quality speaker cable is every bit as essential as high-quality amplification and electronics.



Use only cable that is rated for in-wall use (UL Standard CL2, CL3 and CM, CSA standard FT4).

1. Make sure the wall material can support the weight of the speakers you plan to install (see specifications page for weights).
2. Make sure the location selected is free of studs, electrical wiring, water or gas pipes, etc. Prior to installing, hold the speaker in your selected location to make sure it is clear of any obstacles. **PLEASE NOTE: Your cutout must be at least 2" (50mm) from adjoining walls/ceiling, internal studs, and any pipes.**
3. Place the included mounting template onto the wall or ceiling in your preferred location. Use the pencil to trace around the template (Figure 1).
4. Carefully cut a hole with the appropriate cutting tool along the pencil trace as follows: Start the hole by drilling a hole inside of the pencil line (place drill bit just inside the line). Use this hole to insert the cutting tool and begin cutting — be careful not to cut outside the template line! (Figure 2).

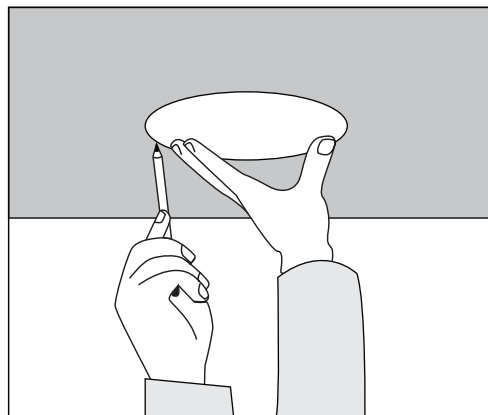


Figure 1

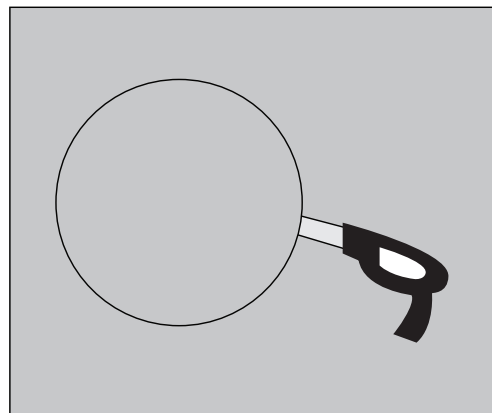


Figure 2

5. For optimum performance, loosely place one piece of standard fiberglass insulation, cut to fit the joist size, above the speaker and extending about 15" or more beyond the speaker; For taller joists, also place fiberglass insulation against the joists on either side of the mounting hole.



Turn your amplifier/receiver OFF before performing any connection steps, in order to prevent accidental damage to your amplifier.



If you plan to use multiple speakers per amplifier channel. The minimum impedance of ONE Invisa in-wall/in-ceiling speaker is 4 ohms per channel.

6. Pull the speaker wire out of the hole and connect the speaker as follows:
 - Your Invisa HTR 7000/8000 speakers are equipped with a set of high-quality push spring connectors that can be used with bare wire. Make sure all wires are firmly fastened. Always use high quality speaker wire of the correct rating (see above) and sufficient gauge for the distances you are running (see your dealer for assistance).
 - Strip $\frac{1}{2}$ " (12 mm) of insulation from each of the two conductors to expose the metal, twist the strands of each into a single un-frayed strand.
 - Hold the speaker up to the cutout and connect the speaker cable. Proper polarity (or phase) is critical for proper stereo imaging and bass performance. Connect the red(+) terminal of your receiver or amplifier to the red(+) terminal of the Invisa loudspeaker and the black(-) terminal of your receiver or amplifier to the black(-) terminal of the Invisa loudspeaker (See Figure 3). Most speaker cables are either color coded or have some indicator (ribbing or writing) on one of the conductors to help maintain this consistent polarity. It is essential that all speakers be connected in the same way (in phase) to its own channel of the amplifier. If you experience a great lack of bass, it is likely that one speaker is out of phase(+ and – reversed) with the other.

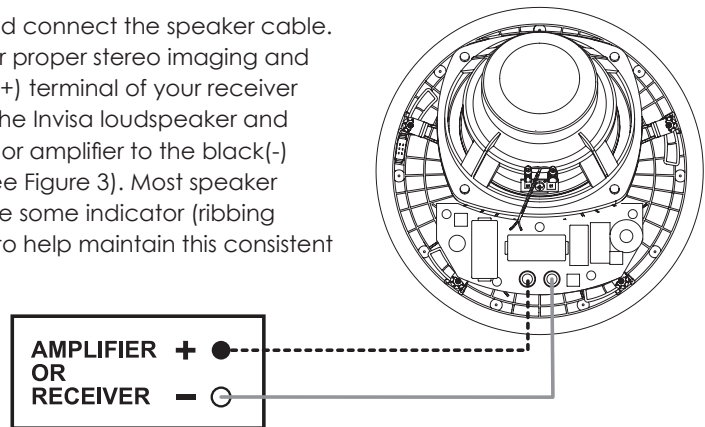


Figure 3

- Push down on the top of the speaker's push terminal to reveal the wire hole in the post. Insert the wire into the hole and release your pressure on the terminal.

7. Loosen the four rotating lock arms on the speaker by turning the arm screws on the front of the speaker counterclockwise $\frac{1}{2}$ to 1 turn, just enough to allow the lock arm to move freely (Figure 4).
 - Make sure the rotating lock arms are positioned inwards (Figure 5) so that your speaker fits into your cutout hole.

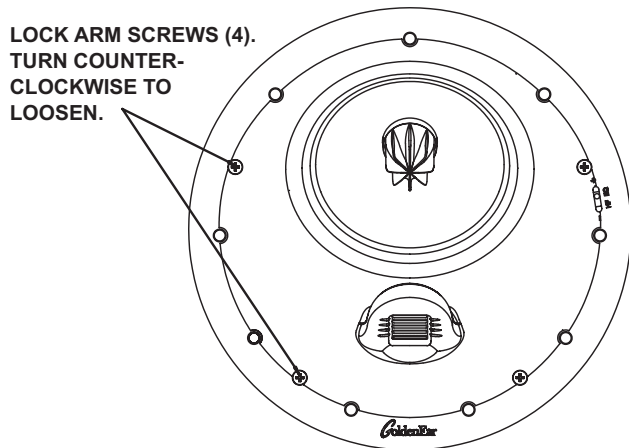


Figure 4

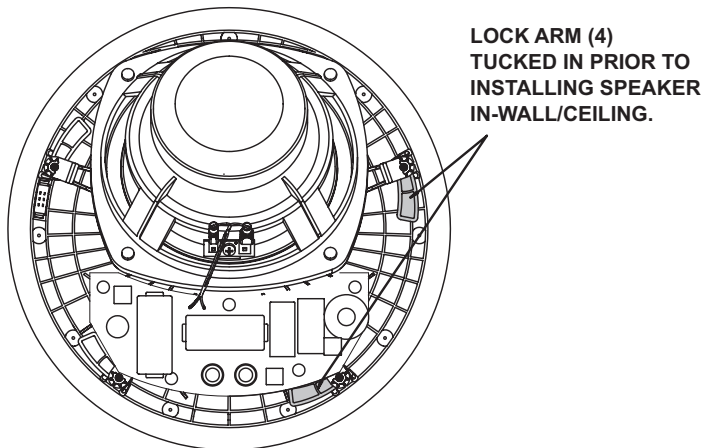


Figure 5

8. Holding the speaker's front lip with your thumbs and index fingers, carefully slip the speaker into the cutout and hold firmly in place. (Figure 6).

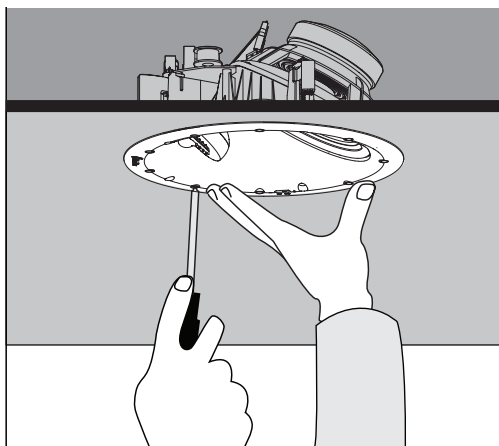


Figure 6

9. While holding in place, tighten the four lock arm screws with a screwdriver (Figure 7). This will rotate the lock arms and secure the speaker to the wall/ceiling. **DO NOT OVERTIGHTEN** the lock arm screws as this could damage the drywall. If you are using a power screwdriver or drill, set the torque to a value of no more than 7 in.-lb (8dN-m).

LOCK ARM SCREWS: TURN CLOCKWISE TO TIGHTEN LOCK ARMS AND SECURE TO MOUNTING SURFACE (4 PLACES)

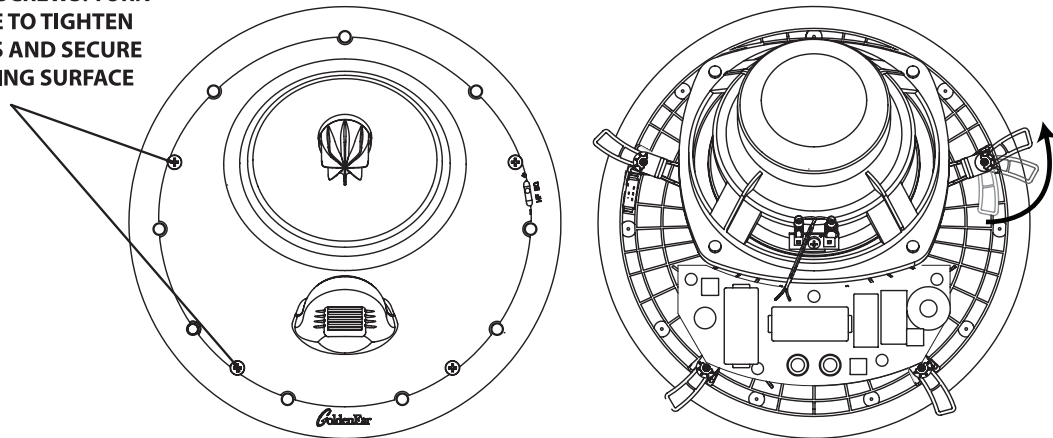


Figure 7

10. Install the grille by placing it over the installed speaker and aligning the powerful miniature magnets.

Setting the Invisa Speaker's High Frequency EQ Control (HF EQ Switch)

We suggest starting with the HF EQ control (Figure 8) in the center position, in typical rooms with a balance of reflecting and absorbing surfaces. If, however, your listening room is overly "bright" due to many reflective, hard surfaces, select the "-" position to effectively compensate for this type of room acoustics issue. If, however, your listening room is filled with heavy furniture and fabrics or you are sitting fairly far from the speakers, making the sound "dull", select the "+" position to compensate for this type of room acoustics issue.

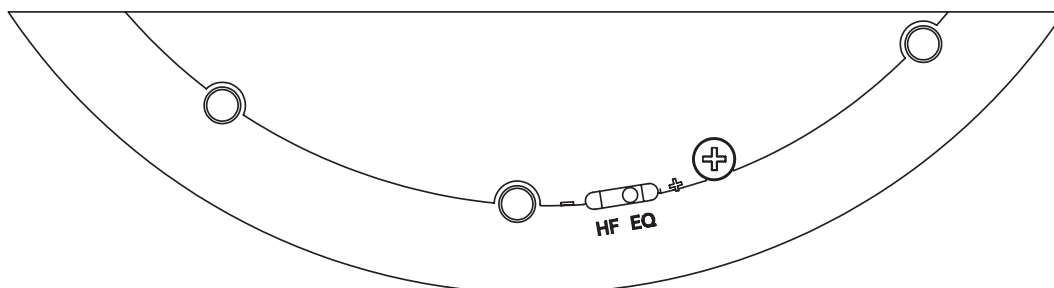


Figure 8



Setting Bass and Treble Controls on Receiver or Amplifier

Normally we recommend that you set the "Bass" and "Treble" controls on flat (or off, or 0 dB). Same applies for a graphic equalizer; we recommend that you leave it flat (or off). This will give you the most accurate and natural sound. If you want more bass, raise your subwoofer's "Level" control (or raise the subwoofer level on your A/V receiver), keeping in mind that even a little turn of the knob can make a big difference in the sound. The reason for this recommendation is that we have discovered what is often thought to be improper sounding speakers is, in fact, a problem caused by the use of tone controls. When in doubt, leave them out (flat); this almost always results in the best possible and most natural sounding system performance.

Complete Home Theater Systems

We strongly suggest that you use matching GoldenEar Invisa loudspeakers and a ForceField subwoofer, for your complete GoldenEar home theater system. Invisa HTR 7000/8000 speakers are designed to be used as front, rear and/or side surround speakers, with exceptional results for both music and movies. Of particular note, the GoldenEar ForceField Subs have been designed specifically to make a perfect match with the Invisa HTR 7000/8000 speakers.

Using the Invisa HTR speakers in a Multi-Channel Home Theater Application

When using the Invisa HTR 7000/8000 as part of a home theater system that includes powered subwoofer(s), it is extremely important that bass is directed to the subwoofer and NOT the Invisa HTR 7000/8000 speakers. This is done through the use of a high-pass filter, implemented as part of the setup of the bass management system of your home theater receiver/processor (see below).

Setting Channel Levels and Bass Management

Multi-channel surround sound systems have bass management systems (systems which direct the bass to the various channels) which vary from unit to unit. This bass management system must be properly adjusted, in particular it is extremely important that bass is directed to the subwoofer and NOT the Invisa speakers in these setups, through use of bass management settings as described below. Many problems relating to the overall sound of the system can be traced back to improper bass management. Also note that Multi-channel surround sound systems have a critical channel balancing procedure for setting the level for all speakers which must be followed if the system is to perform properly. Many problems relating to the overall sound of the system can be clearly traced back to improper system balance.

Home Theater System Bass Management Settings: On your Home Theater receiver or A/V processor's Speaker Setup Menu, set speaker to "Small" for all channels using Invisa HTR 7000/8000 speakers, and set Subwoofer to "Yes." The standard 80Hz crossover is the recommended setting (or at least starting point) for the crossover setting.

Setting Channel Levels: On your receiver or A/V processor's Speaker Level Calibration Menu, set each speaker (channel) in the system to the same volume level. While you can get reasonable results doing this by ear, it is best to use an inexpensive Sound Pressure (SPL) meter to get better channel to channel balance. Some new receivers and processors have Auto Set Up functions that use a supplied microphone to set levels automatically.

Troubleshooting

If you experience any difficulties with your Invisa HTR 7000/8000 speakers, try the suggestions described below. If you are still having problems, please consult your GoldenEar Authorized Dealer for assistance.

1. Make sure all your system interconnects, speaker cables and power cords are solidly in place.
2. Check that no foreign objects or liquid has entered the speaker.
3. If no sound comes out or the sound is distorted in some way and you are sure the system is set up properly, please bring the speaker to your GoldenEar Authorized Dealer for assistance. But make sure you call first.

Service

Service and warranty work on your GoldenEar loudspeakers will normally be performed by your local GoldenEar dealer. If, however, you wish to return the speaker to us, please contact us first, describing the problem and requesting authorization as well as the location of the nearest factory service center.

Please note that the address given in this booklet is the address of our office only. Under no circumstances should products or parts be shipped to our offices or returned without contacting us first and obtaining return authorization.

The Quest Group dba
GoldenEar™
2621 White Road
Irvine, CA 92614 USA
Phone: 949-800-1800

Technical Assistance

It is our pleasure to offer assistance if you have any questions regarding your Invisa HTR 7000/8000 speakers or their set-up. Please contact your nearest GoldenEar dealer or contact us directly at 949-800-1800.

Recycling and Reuse Guidelines for Europe



In accordance with the European Union WEEE (Waste Electrical and Electronic Equipment) directive effective August 13, 2005, we would like to notify you that this product may contain regulated materials which, upon disposal, according to the WEEE directive, require special reuse and recycling processing. For this reason GoldenEar (manufacturers of GoldenEar speakers) has arranged with our distributors in European Union member nations to collect and recycle this product at no cost to you. To find your local distributor please contact the dealer from whom you purchased this product or go to our website at www.goldenear.com.

Please note that the product only falls under the WEEE directive. When disposing of packaging and other shipping material we encourage you to recycle through the normal channels.



Specifications

Invisa® HTR 7000

Dimensions:	10-1/2" (26.8 cm) Diameter x 4-15/16" (12.6 cm) Deep
Cutout:	9" (22.9 cm) Diameter
Weight:	4 lbs. 8 oz. (2.04 kg)
Frequency Response:	Depending on rear loading, 35Hz – 35kHz
Efficiency:	90 dB
Nominal Impedance:	4 ohms
Driver Complement:	One 7" high-definition cast-basket MVPP mid/bass drivers One HVFR High Velocity Folded Ribbon tweeter
Rec. Amplification:	10 – 250 Watt/channel

Invisa® HTR 8000

Dimensions:	13-3/16" (33.5 cm) Diameter x 5-15/16" (15 cm) Deep
Cutout:	11-5/8" (29.5 cm) Diameter
Weight:	8 lbs. 6 oz. (3.8 kg)
Frequency Response:	Depending on rear loading, 35Hz – 35kHz
Efficiency:	92 dB
Nominal Impedance:	4 ohms
Driver Complement:	One 8" high-definition cast-basket MVPP mid/bass drivers High-Gauss Neodymium High-Velocity Folded Ribbon (HVFR) Reference Tweeter
Rec. Amplification:	10 – 300 Watt/channel

Specifications are subject to change without notice.



Limited Warranty

5-YEARS FOR DRIVERS AND CABINETS, 3-YEARS FOR ELECTRONIC COMPONENTS

GoldenEar™ warrants to the original retail purchaser only that this GoldenEar Loudspeaker Product (the "Product") will be free from defects in materials and workmanship for a period of five (5) years covering the drivers and cabinets, and three (3) years for the electronic components from the date of the original purchase from a GoldenEar Authorized Dealer. However, this warranty will automatically terminate prior to the expiration of five (5) years for the drivers and cabinets and three (3) years for the electronic components if the original retail purchaser sells or otherwise transfers the Product to any other party. The original retail purchaser shall hereinafter be referred to as "you." Defective Products must be shipped, together with proof of date of purchase, prepaid insured to the Authorized Dealer from whom you purchased the Product, or to the nearest factory service center. Product(s) must be shipped in the original shipping container or its equivalent; in any case the risk of loss or damage in transit is to be borne by you. If, upon examination at the Factory or a GoldenEar Authorized Dealer, it is determined that the unit was defective in materials or workmanship at any time during this Warranty period, GoldenEar or the GoldenEar Authorized Dealer will, at its option, repair or replace this Product at no additional charge, except as set forth below. All replaced parts and Product(s) become the property of GoldenEar. Product(s) replaced or repaired under this Warranty will be returned to you, within a reasonable time, freight collect.

This Warranty does not include service or parts to repair damage caused by accident, misuse, abuse, negligence, inadequate packing or shipping procedures, commercial use, voltage in excess of the rated maximum of the unit, cosmetic appearance of cabinetry not directly attributable to defects in materials or workmanship, or service, or repair or modification of the Product which has not been authorized by GoldenEar. GoldenEar makes no Warranty with respect to its Products purchased from dealers or outlets other than GoldenEar Authorized Dealers. This Warranty is in lieu of all other expressed Warranties. If this Product is defective in material or workmanship as warranted above, your sole remedy shall be repair or replacement as provided above. In no event will GoldenEar be liable to you for any incidental or consequential damages arising out of the use or inability to use the Product, even if GoldenEar or a GoldenEar Authorized Dealer has been advised of the possibility of such damages, or for any claim by any other party. Some states do not allow the exclusion or limitation of consequential damages, so the above limitation may not apply to you.

All implied warranties on the Product are limited to the duration of this expressed Warranty. Some states do not allow limitation on how long an implied Warranty lasts, so the above limitations may not apply to you. This Warranty gives you specific legal rights, and you also may have other rights which vary from state to state.



This product complies with the essential requirements of the EMC directive 89/336/EEC

Visit us at www.goldenear.com

Copyright © 2021 GoldenEar. All rights reserved.
Reproduction in whole or in part without our express permission is prohibited.

GoldenEar™



Invisa® HTR 7000 et 8000

Enceintes encastrables Invisa Home Theater Reference

Manuel de l'utilisateur

Félicitations !

Félicitations et merci d'avoir acheté des enceintes Invisa® HTR 7000/8000 de GoldenEar™ ! Vous êtes sur le point de constater une différence spectaculaire sur votre système hi-fi ou home cinéma avec ces enceintes encastrables très spéciales de technologie FocusField !

Ces produits extraordinaires sont le fruit des nombreuses années d'expérience de nos ingénieurs dans le développement d'enceintes acoustiques. Pour assurer des performances maximales, veuillez prendre un moment pour lire complètement le manuel de l'utilisateur et vous familiariser avec les instructions d'installation, d'assemblage et de configuration de votre système hi-fi ou home cinéma à enceintes Invisa HTR 7000/8000.

Pour plus d'informations sur la technologie sur laquelle repose votre nouveau système d'enceintes, visitez notre site web à www.GoldenEar.com. Pour toute autre question, adressez-vous à votre revendeur GoldenEar™ autorisé ou visitez la page FAQ dans la section Support de notre site web.

Vos nouvelles enceintes GoldenEar

Les enceintes encastrables GoldenEar Invisa HTR 7000/8000 sont conçues pour convenir parfaitement à une grande variété d'installations. Leur grille compacte et leur esthétique très discrète leur permet de s'intégrer parfaitement presque partout dans la maison. Pour obtenir les meilleurs résultats possibles et permettre au produit de durer toute une vie, nous recommandons fortement de respecter les instructions de placement et d'installation figurant dans ce manuel.

Nettoyage

Ne pas utiliser de produit nettoyant puissant ou abrasif sur les grilles des enceintes. Les nettoyer uniquement avec un chiffon humide, mais ne pas les mouiller.

Protéger les enceintes contre les dommages



UTILISER UN AMPLIFICATEUR ADAPTE. Aux volumes élevés, un amplificateur très puissant peut suralimenter les enceintes et les endommager. Et si l'amplificateur n'est pas assez puissant, il peut produire des distorsions qui peuvent aisément endommager les enceintes (obtenir l'assistance du revendeur).



NE PAS SE FIER A LA COMMANDE DE VOLUME DU RECEPTEUR. Elle règle uniquement le niveau d'écoute ; elle ne fournit pas d'indication de la puissance de sortie. Si les enceintes commencent à produire un son âpre ou discordant ou que toute autre forme de distorsion est audible, baisser le volume immédiatement !



Éviter d'utiliser les commandes de tonalité et de correction physiologique (loudness) car elles demandent encore plus de puissance de l'amplificateur et peuvent provoquer des dommages à un volume encore plus bas.

Les enceintes Invisa HTR 7000/8000 de GoldenEar ont un rendement élevé et peuvent produire d'importants niveaux sonores avec une puissance d'amplificateur modérée. Elles sont également capables de fonctionner avec des amplificateurs très puissants. Pour éviter d'endommager les enceintes, veiller à lire tous les conseils ci-dessous avant de les raccorder.

Distorsion par l'amplificateur — La plus grande menace pour les enceintes !

La distorsion par l'amplificateur est la principale cause de dommages aux enceintes. Aux niveaux sonores élevés, l'amplificateur peut atteindre ses limites d'amplification propre. Il commence alors à produire une distorsion du signal dommageable pour les enceintes. Cela peut endommager toute enceinte très rapidement, quelle que soit sa marque ! Les amplificateurs les plus puissants sont en fait les plus sûrs. Exemple : Un amplificateur de 40 W par canal présentera une distorsion importante au-dessus de 40 W. S'il est poussé à 50 W, cet amplificateur fournira un signal dont la distorsion peut endommager les enceintes ! Par contre, un amplificateur de 100 W par canal présente très peu de distorsion en dessous de 100 W. Ainsi, lorsque l'enceinte nécessite 50 W, cet amplificateur plus puissant fournira un signal propre moins susceptible d'endommager l'enceinte (s'adresser au revendeur GoldenEar pour toute recommandation concernant l'amplificateur).

Réglage du volume

Ne pas se fier au réglage de volume sur le récepteur ou préamplificateur. Il modifie uniquement le niveau d'écoute, ce n'est pas une commande de « puissance de sortie ». Le niveau de puissance de l'amplificateur effectivement utilisé à un réglage de volume donné dépend uniquement de la nature du signal source qu'on est en train d'écouter (à un réglage de volume donné, un passage musical calme utilise moins de puissance d'amplificateur qu'un passage plus bruyant). Avec un signal source typique, la puissance de sortie nominale de nombreux récepteurs/amplificateurs est souvent atteinte lorsque le volume est réglé à environ -10 dB, ou dans les positions entre « 11 h » et « 1 h » d'un bouton de réglage analogique (les commandes de grave/aigu et de loudness n'étant pas utilisées, sinon la puissance nominale peut être atteinte à des réglages de volume même inférieurs à cela). Garder à l'esprit que tous les amplificateurs produisent de la distorsion lorsqu'ils fonctionnent au-delà de leur puissance de sortie nominale. La distorsion qui en résulte endommage toutes les enceintes ! Lors de l'écoute à des niveaux sonores élevés, veiller à être à l'écoute du point de distorsion audible. Si le son des enceintes semble déformé, baisser le volume sinon les enceintes et l'amplificateur peuvent être endommagés ! Ce type de dommage constitue un emploi abusif et n'est pas couvert par la garantie. Si des volumes plus élevés sont souhaités, envisager un amplificateur plus puissant.

Il y a en fait une limite !

Même avec des amplificateurs plus puissants et plus sûrs, il y a un point où ils produisent plus de puissance que les enceintes peuvent absorber. À ce point, il alimente les enceintes avec une puissance excessive qui va les endommager. Aux niveaux sonores élevés, ne pas augmenter les commandes de grave/aigu au-delà de zéro et s'assurer que tous les boutons loudness/contour/bass EQ boutons sont en position désactivée (sinon la puissance de sortie nominale est atteinte à des réglages de volume même inférieurs à cela).

Le bon niveau de puissance

Une plage de puissance nominale est fournie dans les caractéristiques techniques pour indiquer les puissances d'alimentation minimale et maximale approximatives des enceintes GoldenEar Invisa HTR 7000/8000. Il est conseillé d'utiliser des amplificateurs qui correspondent à cette plage de puissance nominale des enceintes voire sont plus puissants car leur plus grande réserve de puissance produit un meilleur son. Mais veiller à toujours utiliser les enceintes dans leur plage de puissance nominale afin d'éviter les dommages, c'est-à-dire en dessous du point où une distorsion est clairement audible.



Placement des enceintes

Les enceintes GoldenEar Invisa HTR 7000/8000 sont conçues pour offrir une souplesse de placement tout en couvrant une très grande fenêtre sonore dans la pièce. Garder à l'esprit que, même si les recommandations ci-dessous sont habituellement appropriées, chaque pièce et chaque configuration d'écoute sont quelque peu uniques et il ne faut pas hésiter à expérimenter pour optimiser le placement avec les enceintes. Le son qui est le meilleur à l'oreille est le bon son.

Acoustique de la pièce

Les enceintes GoldenEar Invisa HTR 7000/8000 sont conçues pour fournir un son exceptionnel dans un large éventail d'installations domestiques. Il est toutefois important de noter que le type de construction, les dimensions et le mobilier de la pièce influent tous sur la qualité du son final qui sera obtenu avec ces enceintes. La pièce impose son propre caractère aux capacités de reproduction du système d'enceintes. Concernant la pièce, on notera que :

- Les fréquences moyennes et élevées sont absorbées par les tissus d'ameublement dans la pièce : rideaux, tapis, canapés, revêtements muraux, etc. Une trop grande quantité de tels matériaux peut produire un son quelque peu sourd. La même pièce sans aucun tissu d'ameublement peut produire un son globalement éclatant. La quantité typique de tissus d'ameublement trouvée dans la majorité des logements offre les bonnes caractéristiques acoustiques permettant aux enceintes de produire un son équilibré ;
- Les sols et les murs de béton ont tendance à aggraver les problèmes d'onde stationnaire basse fréquence et sont moins préférables ;
- Les pièces dont la hauteur, la largeur et la longueur sont comparables peuvent présenter d'importants problèmes d'onde stationnaire basse fréquence. Cela peut avoir pour effet de réduire la clarté du son. Dans de telles pièces, éviter les placements dans les coins afin de minimiser les problèmes acoustiques.

Le soin qu'on prendra à placer correctement les enceintes se traduira par un plus grand plaisir d'écoute. C'est pourquoi il convient de garder les règles ci-dessous à l'esprit lors du choix du meilleur placement des enceintes.

Pour assurer les meilleurs résultats possibles, suivre les règles de placement ci-dessous :

EMPLACEMENT : Pour installer les enceintes, choisir un emplacement qui offre un espace suffisant entre les solives du plafond. Vérifier qu'il n'y a pas de câbles, conduits, canalisations d'eau, gaines de chauffage/climatisation et autres obstructions avant de découper l'orifice de pose. Lorsqu'elles sont utilisées pour les canaux principaux gauche, centre et droit, les enceintes Invisa HTR 7000/8000 sont conçues pour projeter une image sonore devant l'auditeur, bien qu'elles soient installées au plafond. Cela est rendu possible par notre technologie FocusField, qui est optimisée lorsque les enceintes sont installées suivant les bonnes caractéristiques géométriques de hauteur et distance. L'enceinte est conçue pour produire des résultats optimaux pour une hauteur de plafond de 2 à 3 m (7 à 10 pieds), pour une distance des fauteuils de 2,5 à 6 m (8 à 20 pieds), bien que les distances en dehors de cette plage puissent malgré tout produire de bons résultats. Plus le plafond est haut et plus la distance idéale est grande et vice versa.

EXACTITUDE DU TIMBRE : Pour obtenir le timbre le plus exact et naturel possible, veiller à placer les enceintes dans les limites de hauteur et distance correctes (comme indiqué ci-dessus) et orientées de telle façon que les haut-parleurs pointent vers la position d'écoute centrale.

ÉQUILIBRAGE DES GRAVES : Le placement des enceintes trop près des murs latéraux ou arrière tend à exagérer les graves et à réduire la clarté globale. Autant que possible, placer les enceintes à au moins 30 cm d'un mur latéral ou arrière. Cela assure un résultat plus équilibré et une clarté optimale dans les médiums.

IMAGE SONORE OPTIMALE : Mesurer la distance entre l'emplacement d'écoute principal et l'enceinte avant gauche (nous appellerons cette distance « X »). Pour créer une image optimale et l'espace sonore le plus large possible, placer les enceintes gauche et droite à cette distance X l'une de l'autre (et à pas moins de 3/4 de cette distance, donc à une distance comprise entre 3/4 de X et X). Pour les systèmes de home cinéma avec les enceintes Invisa HTR 7000/8000 sur les canaux L/C/R, placer l'enceinte centrale directement au-dessus du centre du téléviseur et les enceintes gauche et droite à égale distance (toujours X ou 3/4 de X), comme indiqué à la Figure A ci-dessous.

Options de placement pour les enceintes Invisa HTR 7000/8000 encastrées au plafond

Les enceintes encastrables HTR 7000/8000 de GoldenEar sont conçues pour produire des résultats optimaux dans des pièces de 2 à 3 m (7 à 10 pieds) de hauteur de plafond, toutefois de bons résultats restent indéniablement possibles en dehors de ces limites. Leur conception « FocusField » unique leur permet de « focaliser » le son vers une zone spécifique, d'une façon très semblable à celle dont on focalise un projecteur pour éclairer une zone particulière. Le haut-parleur à membrane et le tweeter utilisés dans la HTR7000/8000 sont inclinés à un angle d'environ 30 degrés par rapport à la surface du plafond. Pour optimiser la clarté globale et l'équilibrage des graves, les enceintes doivent être montées dans le plafond à 30 cm (12 pouces) ou plus des murs.

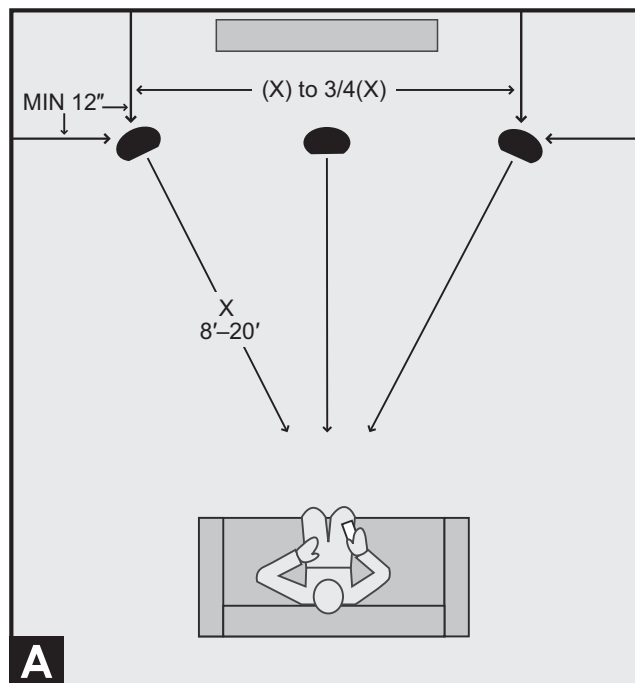
REMARQUE : La focalisation du son doit être effectuée après avoir branché l'enceinte mais avant le serrage définitif des pattes de blocage. Voir « Réglage fin des enceintes Invisa HTR 7000/8000 » ci-dessous.

Enceintes Invisa HTR 7000/8000 FocusField avant gauche et droite (Fig. A)

Suivre les règles générales de placement des enceintes fournies aux pages 4 et 5, en gardant à l'esprit que la distance idéale entre les enceintes avant et la zone d'écoute principale est de 2,5 à 6 m, comme sur l'illustration, avec les haut-parleurs pointés vers le centre de la zone d'écoute.

Enceinte Invisa HTR 7000/8000 FocusField centrale (Fig. A)

Placer l'enceinte centrale entre les enceintes gauche et droite, avec les haut-parleurs pointés vers le centre de la zone d'écoute.



Placement des enceintes Invisa HTR 7000/8000 avant gauche/droite/centrale

Enceintes Invisa HTR 7000-8000 en position surround/arrière (Fig. B et C)

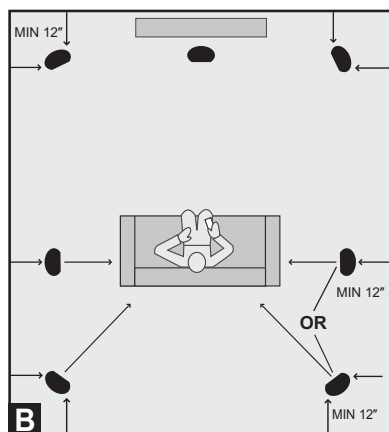
Les enceintes Invisa HTR 7000/8000 conviennent également parfaitement pour les canaux de surround ou arrière. Dans cette configuration, toutes les enceintes sont placées avec les haut-parleurs pointés vers la zone d'écoute. Lorsqu'elles sont utilisées en tant qu'enceintes surround dans un système 5.1 canaux, les Invisa HTR 7000/8000 peuvent être placées sur les côtés ou l'arrière des auditeurs. Lorsqu'elles sont sur les côtés, veiller à ne jamais placer les enceintes en avant des auditeurs. Si elles sont installées à l'arrière en tant qu'enceintes surround, il est conseillé de les écarter le plus possible l'une de l'autre. Les coins arrière constituent également un bon emplacement d'installation des enceintes surround. Les enceintes arrière dans un système 7.1 canaux doivent être placées assez près les unes des autres (1,2 à 2 m) comme sur l'illustration. En utilisant la Fig. B en tant que guide de placement, tester diverses configuration pour obtenir un son surround optimal dans la pièce.

Placement surround 5.1 canaux (Fig. B)

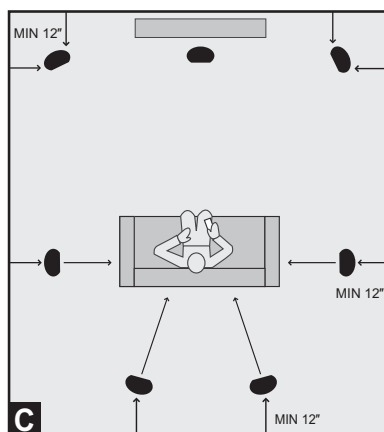
Placer une enceinte de chaque côté de la zone d'écoute avec les haut-parleurs pointés vers le centre de la zone d'écoute comme sur l'illustration. À titre d'alternative, placer les enceintes derrière l'auditeur et aussi espacées l'une de l'autre que possible.

Placement surround/arrière 7.1 canaux (Fig. C)

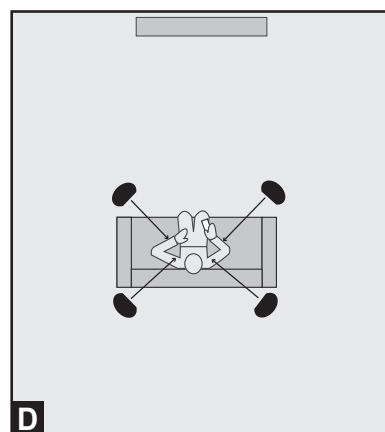
Commencer par le placement surround 5.1 canaux (comme ci-dessus), puis placer une autre paire d'enceintes derrière la zone d'écoute, l'une légèrement à droite et l'autre légèrement à gauche de la position d'écoute centrale, avec les haut-parleurs pointés vers le centre de la zone d'écoute comme sur l'illustration.



Options de placement surround 5.1 canaux des enceintes Invisa HTR 7000 et 8000



Options de placement surround 7.1 canaux des enceintes Invisa HTR 7000 et 8000



Placement 8 canaux des enceintes Invisa HTR 7000 et 8000

Enceintes Invisa HTR 7000 et 8000 en configuration HUIT canaux (Fig. D)

Les enceintes Invisa HTR conviennent aussi parfaitement pour les canaux de hauteur dans les formats surround orientés objets tels que Dolby Atmos DTS:X. Voir les options de placement à la Figure D ci-dessus. Dans cette configuration, les enceintes doivent être placées à moins des 2,5 m (8 pieds) minimum de la zone d'écoute afin de préserver les effets sonores « par le haut » tout en éliminant les « points chauds » causés par les modèles à rayonnement direct dans les pièces basses de plafond.

Réglage fin des enceintes Invisa HTR 7000 et 8000

Une fois le placement choisi, installer et raccorder l'enceinte conformément aux instructions ci-dessus. Avant le serrage définitif des pattes de blocage, tourner l'enceinte de façon à faire pointer les haut-parleurs dans la direction souhaitée. Pour réajuster la direction du son, desserrer les vis de pattes de blocage (voir les instructions d'installation ci-dessus), faites pivoter le support de haut-parleur jusqu'à ce qu'il pointe dans la direction souhaitée, puis resserrer les vis de pattes de blocage.

Rodage des enceintes

Le système d'enceintes Invisa HTR 7000/8000 doit produire un son de qualité dès la première mise sous tension. Toutefois, une période de rodage de 40 à 60 heures ou plus de fonctionnement normal est nécessaire pour atteindre pleinement des résultats de niveau audiophile. Le rodage permet aux suspensions de haut-parleur de s'assouplir et aux composants du filtre de « cicatriser », produisant des graves plus pleines et plus claires, un « épanouissement » plus large des médiums et une reproduction plus fluides des fréquences élevées.

Peinture assortie (facultatif)

Les enceintes encastrables Invisa HTR 7000/8000 comprennent une grille « sans rebord » qui couvre complètement l'enceinte installée. La grille est fournie dans un blanc neutre pour se fondre dans la majorité des surfaces, toutefois, pour permettre une pose quasi « invisible », elle peut être peinte pour s'intégrer à tout décoration. **REMARQUE : Tout écart par rapport aux instructions ci-dessous peut se traduire par une dégradation notable de la qualité sonore !**

Remarque :

- Ne pas peindre la grille au pinceau ou au rouleau, cela peut colmater ses perforations acoustiques et étouffer le son.
- Il n'est pas nécessaire de retirer le tissu acoustique au dos de la grille avant de la peindre.
- Ne pas faire sécher la peinture au four.
- Ne pas peindre les grilles alors qu'elles sont attachées aux enceintes.

Pour peindre, procéder comme suit :

1. Retirer la grille de l'enceinte et la poser sur une toile de bâche.
2. Peindre la grille par pulvérisation en utilisant :
 - i. Une peinture en aérosol aussi proche que possible de la teinte et de la finition (matte, satinée, etc.) souhaitée.
 - ii. Une peinture en aérosol préparée sur mesure pour correspondre à la teinte des surfaces existantes.
 - iii. La peinture latex d'intérieur utilisée pour peindre le mur ou le plafond, mais diluée conformément aux recommandations du fabricant de peinture ou du fabricant du pistolet de pulvérisation.
3. Dans un endroit bien aéré, appliquer plusieurs couches de peinture, pulvérisée à un angle de 60 degrés environ par rapport à la surface de la grille. Laisser la grille sécher 10 minutes entre les couches. Suivre les instructions du fabricant de peinture.
4. Pour assurer une application uniforme de la peinture, il est conseillé d'appliquer chaque couche suivant plusieurs directions (au moins quatre), en respectant les instructions de l'étape 3.
5. Une fois que la grille peinte a complètement séché, il est possible de retoucher le bord extérieur de la grille avec un pinceau ou un petit rouleau s'il y a lieu, en prenant soin de ne pas appliquer de peinture supplémentaire sur la surface perforée de la grille.

Instructions d'installation

L'installation des enceintes Invisa HTR 7000/8000 nécessite des outils tels qu'une perceuse, un tournevis, des scies, voire d'autres outils électriques. L'installateur doit avoir connaissance de tous les codes du bâtiment et de prévention des incendies en vigueur. Veiller à s'assurer que les emplacements prévus pour l'encastrement des enceintes dans le mur ou le plafond ne contiennent aucune obstruction. Lors du découpage de l'orifice et du tirage des câbles à travers les murs et les plafonds, prendre soin de bien éviter toutes les conduites électriques, d'eau, de gaz ou de chauffage/ventilation/climatisation, ainsi que les risques associés de blessures corporelles et de dommages matériels.

Si on ne se sent pas compétent ou capable d'effectuer les procédures d'installation qui suivent, il est fortement conseillé de faire installer les enceintes par un professionnel (s'adresser au revendeur GoldenEar).

Outillage nécessaire :

- Crayon
- Scie de plaquiste, scie à guichet, couteau utilitaire ou autre outil de coupe adapté pour le matériau du mur/plafond
- Tournevis cruciforme (Phillips)
- Perceuse électrique avec foret approprié (facultatif, pour démarrer la découpe du mur/plafond)

Installation dans un mur ou plafond existant

Dans un bâtiment en construction (avant la pose des plaques de plâtre), utiliser nos attaches spéciales, vendues séparément.

REMARQUE : Les câbles d'enceinte doivent être installés en premier. Pour assurer la meilleure qualité sonore, la haute qualité des câbles d'enceintes utilisés est tout aussi essentielle que celles de l'amplification et de l'électronique.



Utiliser exclusivement du câble conçu pour la pose dans un mur (classe UL CL2, CL3 et CM, classe CSA FT4).

1. S'assurer que le matériau du mur ou plafond est capable de supporter le poids des enceintes à installer (voir les poids à la section Caractéristiques).
2. S'assurer que l'emplacement choisi ne comporte pas d'élément d'ossature, câblage électrique, conduite d'eau ou de gaz, etc. Avant de procéder à l'installation, tenir l'enceinte dans l'emplacement choisi pour vérifier qu'elle ne rencontre aucune obstruction. **REMARQUE : La découpe de se trouver à au moins 50 mm (2 pouces) de tout mur/plafond contigu, ossature interne ou toute conduite.**
3. Placer le gabarit de montage fourni sur le mur ou le plafond à l'emplacement souhaité. Tracer le contour du gabarit au crayon (Figure 1).
4. Avec précaution, découper un trou avec l'outil de coupe qui convient le long du tracé au crayon comme suit : Pour démarrer le découpage, percer un trou à l'intérieur du tracé au crayon (placer le foret juste à l'intérieur du trait). Utiliser ce trou pour insérer l'outil de coupe et démarrer la découpe, en prenant garde de ne pas découper à l'extérieur du tracé du gabarit (Figure 2).

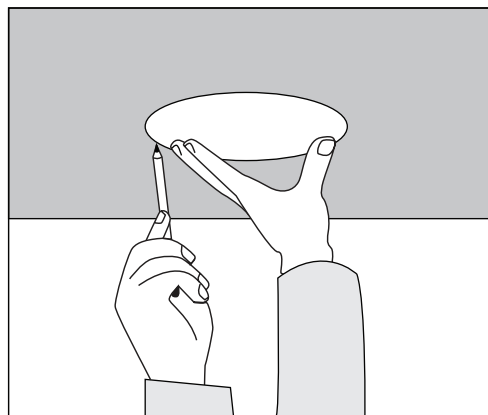


Figure 1

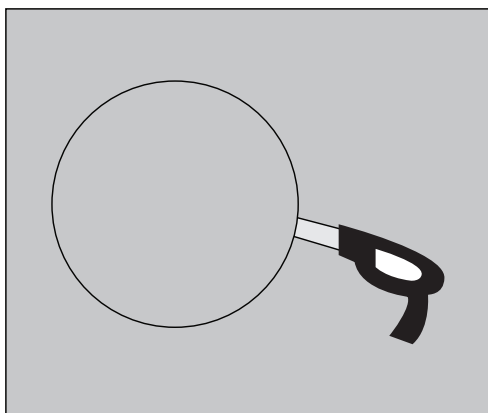


Figure 2

5. Pour obtenir des résultats optimaux, tenir un morceau d'isolation en laine de verre standard et le découper pour passer entre les solives et dépasser de 40 cm (15 pouces) environ de part et d'autre de l'enceinte. Pour les solives de grande hauteur, placer également de l'isolant en laine de verre contre les solives de chaque côté du trou de fixation.



Mettre le récepteur ou amplificateur hors tension avant de procéder à toute branchement, afin d'éviter tout dommage accidentel à l'amplificateur.

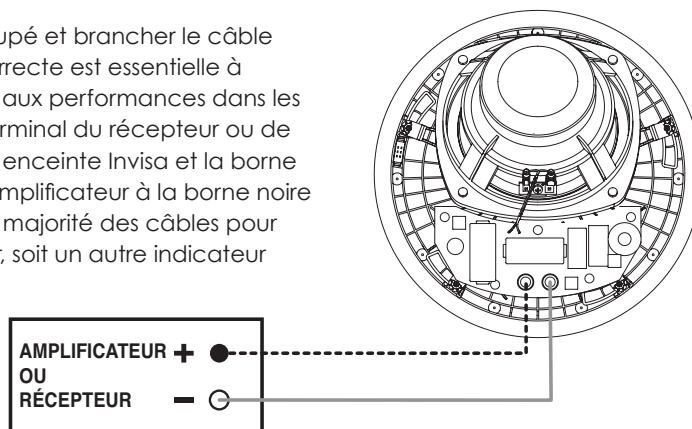


S'il est prévu d'utiliser plusieurs enceintes par canal d'amplificateur, l'impédance minimale d'UNE enceinte encastrable Invisa est de 4 ohms par canal.

6. Tirer le câble d'enceinte hors du trou et brancher l'enceinte de la façon suivante :

- Les enceintes Invisa HTR 7000/8000 sont équipées d'un bornier à connecteurs à ressorts de poussée de haute qualité utilisables avec des fils dénudés. S'assurer que tous les fils sont fermement attachés. Toujours utiliser du câble pour enceinte de haute qualité de type correcte (voir ci-dessus) et de section suffisante pour les longueurs à utiliser (obtenir l'assistance du revendeur).
- Dénuder 12 mm (1/2 pouce) de gaine de chacun des deux conducteurs à exposer le métal, vriller les brins de chacun en un brin compact unique.

- Tenir l'enceinte au niveau du trou découpé et brancher le câble sur l'enceinte. La polarité (ou phase) correcte est essentielle à obtenir la bonne reproduction stéréo et aux performances dans les graves. Raccorder la borne rouge (+) terminal du récepteur ou de l'amplificateur à la borne rouge (+) de l'enceinte Invisa et la borne noire (-) terminal du récepteur ou de l'amplificateur à la borne noire (-) de l'enceinte Invisa (voir Figure 3). La majorité des câbles pour enceintes ont soit un couleur de couleur, soit un autre indicateur (nervures ou texte imprimé) sur l'un des conducteurs pour faciliter le maintien de la bonne polarité. Il est essentiel de brancher toutes les enceintes de la même façon (en phase) sur leurs canaux respectifs de l'amplificateur. En cas d'impression de creux important dans les graves, il est probable que l'une des enceintes ne soit pas en phase (+ et - inversés) avec les autres.



- Appuyer sur le dessus de la borne de l'enceinte pour révéler le trou de fil dans la cosse. Insérer le fil dans le trou et relâcher la borne.

7. Desserrer les quatre pattes de blocage de l'enceinte en tournant les vis des pattes sur la face de l'enceinte de 1/2 à 1 tour dans le sens inverse des aiguilles d'une montre, juste assez pour permettre aux pattes de blocage de bouger librement (Figure 4).

- S'assurer que les pattes de blocage sont tournées vers l'intérieur (Figure 5) de façon à pouvoir faire passer l'enceinte dans le trou découpé.

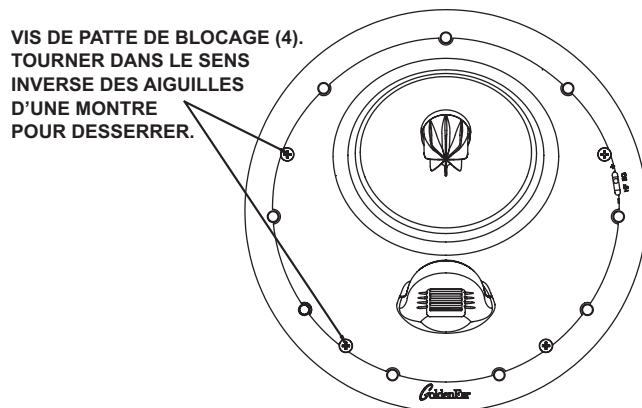


Figure 4

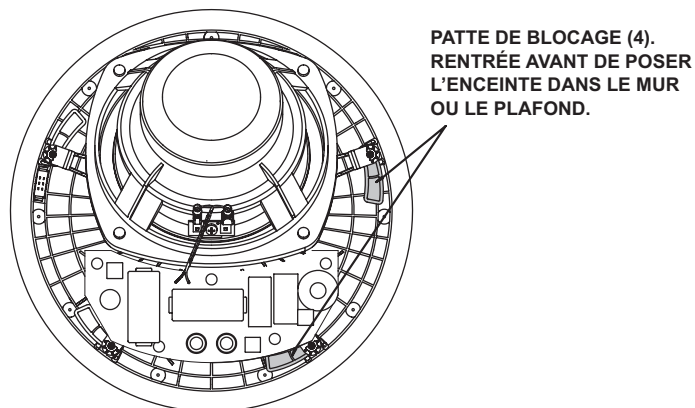


Figure 5

8. En tenant la lèvre avant de l'enceinte avec les pouces et les index, enfiler l'enceinte avec précaution dans l'ouverture découpée et la maintenir fermement en place (Figure 6).

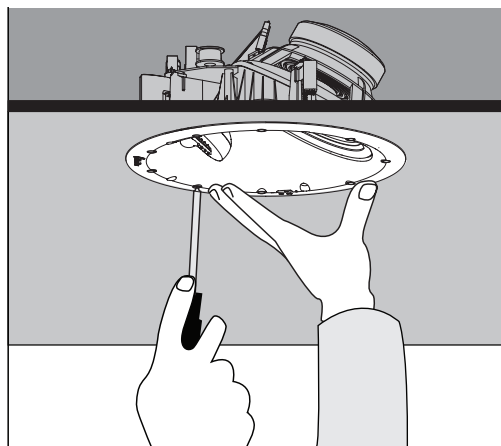


Figure 6

9. Tout en maintenant en place, serrer les quatre vis de pattes de blocage à l'aide d'un tournevis (Figure 7). Cela fait pivoter les pattes de blocage et bloque l'enceinte dans le mur ou plafond. **NE PAS TROP SERRER** les vis de pattes de blocage car cela peut endommager la plaque de plâtre. Si une visseuse ou perceuse électrique est utilisée, régler le couple à un maximum de 0,8 Nm (7 in-lb).

**PATTE DE BLOCAGE (4).
RENTREE AVANT DE POSER
L'ENCEINTE DANS LE MUR
OU LE PLAFOND.**

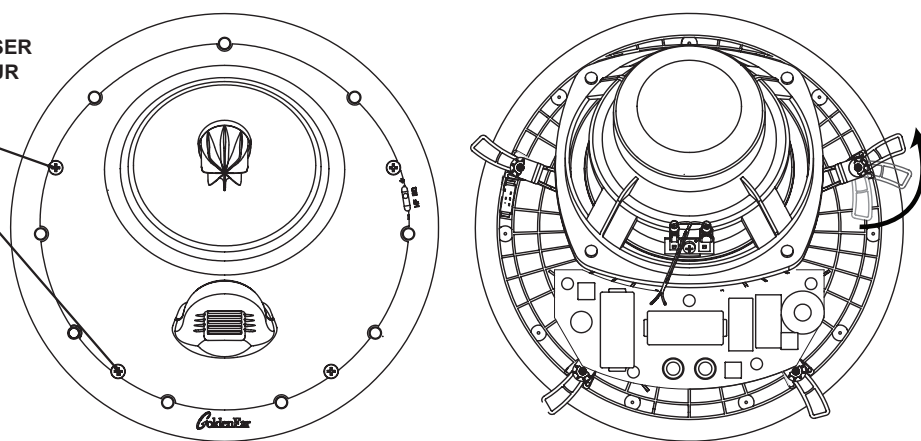


Figure 7

10. 10. Pour poser la grille, la placer sur l'enceinte installée en alignant les mini-aimants.

Réglage de l'égalisation haute fréquence de l'enceinte Invisa (commutateur HF EQ)

Dans une pièce typique comportant à la fois des surfaces absorbantes et réfléchissantes, nous conseillons de commencer avec la commande EQ HF (Figure 8) en position centrale. Toutefois, si la pièce a une acoustique trop « cassante » en raison de trop nombreuses surfaces dures réfléchissantes, choisir la position « - » pour compenser cet effet. Par contre, si la pièce comporte beaucoup de mobilier lourd et de tissus ou si on est assis relativement loin des enceintes, ce qui se traduit par un son « sourd », choisir la position « + » pour compenser ce type de problème acoustique de la pièce.

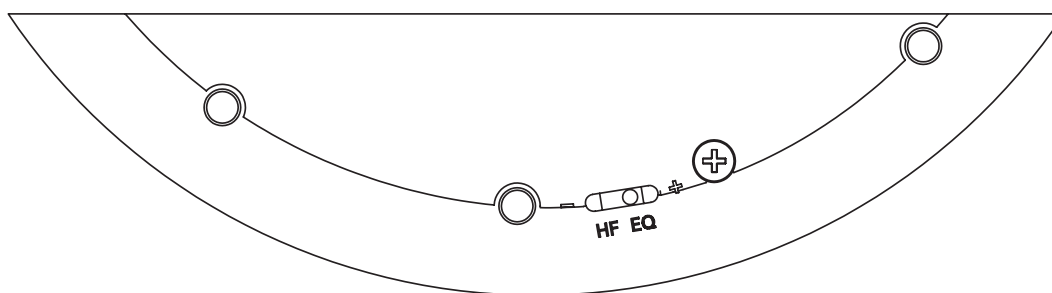


Figure 8



Réglage des commandes de graves et d'aigus sur le récepteur ou l'amplificateur

Normalement, nous conseillons de régler les boutons « Bass » et « Treble » en position neutre (ou Off ou 0 dB). De même, avec un égaliseur graphique, nous conseillons de le laisser en position de gain nul (ou Off). Cela produit le son le plus exact et naturel. Pour augmenter les graves, élever la commande de niveau (« Level ») sur le caisson de graves (ou le niveau de caisson de graves sur le récepteur A/V), en gardant à l'esprit que même une rotation limitée du bouton peut produire une différence importante dans le son. Si nous faisons cette recommandation, c'est que nous avons constaté que, le plus souvent, les impressions de mauvaise qualité sonore des enceintes sont en fait causées par l'utilisation des commandes de tonalité. En cas de doute, les laissez en position neutre (gain nul), cela se traduit presque toujours par la reproduction sonore la meilleure possible et la plus naturelle.

Systemes home cinéma complets

Il est fortement conseillé d'utiliser des enceintes Invisa et un caisson de graves ForceField assortis pour créer un système home cinéma GoldenEar complet. Les enceintes Invisa HTR 7000/8000 sont conçues pour être utilisées sur les canaux avant et surround arrière et latéraux et produire des résultats exceptionnels pour la musique comme pour les films. En particulier, les caissons de graves ForceField de GoldenEar sont conçus spécialement pour être le complément parfait des enceintes Invisa HTR 7000/8000..

Utilisation des enceintes Invisa HTR dans une installation home cinéma multicanaux

Si les enceintes Invisa HTR 7000/8000 sont utilisées dans le cadre d'un système home cinéma qui comprend un ou plusieurs caissons de graves amplifiés, il est extrêmement important que le signal de graves soit dirigé vers le(s) caisson(s) de graves et PAS vers les enceintes Invisa HTR 7000/8000. Cela se fait au moyen d'un filtre passe-haut, mis en œuvre dans le cadre de la configuration du système de gestion des graves du récepteur ou processeur home cinéma (voir ci-dessous).

Réglage du niveau des canaux et de la gestion des graves

Les systèmes surround multicanaux comportent des systèmes de gestion des graves (qui dirigent les signaux de graves vers les différents canaux) qui varient d'un modèle à l'autre. Ce système de gestion des graves doit être correctement réglé. En particulier, il est extrêmement important que les graves soient dirigés vers le caisson de graves, PAS vers les enceintes Invisa dans l'installation, au moyen des réglages de gestion des graves décrits ci-dessous. De nombreux problèmes de qualité sonore globale du système peuvent être associés à une mauvaise gestion des graves. On notera également que les systèmes surround multicanaux doivent faire l'objet d'une procédure d'équilibrage critique du niveau de toutes les enceintes pour que le système fonctionne correctement. De nombreux problèmes de qualité sonore globale du système peuvent être clairement associés à un mauvais équilibrage du système.

Réglages de gestion des graves d'un système home cinéma : Dans le menu de configuration des enceintes du récepteur home cinéma ou du processeur A/V, régler le paramètre d'enceinte sur « Small » (petit) pour les canaux raccordés à des enceintes HTR 7000/8000 et le paramètre Subwoofer (caisson de graves) sur Yes (Oui). Le filtrage 80 Hz standard est le réglage recommandé (ou du moins le point de départ) pour le filtre.

Réglage du niveau des canaux : Dans le menu d'étalonnage du niveau des enceintes du récepteur ou du processeur A/V, régler chaque enceinte (canal) du système sur le même niveau de volume. S'il est possible d'obtenir des résultats raisonnablement satisfaisants à l'oreille, il est préférable d'utiliser un sonomètre bon marché afin d'obtenir un meilleur équilibre entre les canaux. Certains récepteurs et processeurs récents comportent des fonctions de réglage automatique qui utilisent un microphone fourni pour régler les niveaux automatiquement.

Dépannage

En cas de difficultés avec les enceintes Invisa HTR 7000/8000, voir les suggestions ci-dessous. Si les problèmes persistent, obtenir l'assistance du revendeur GoldenEar autorisé.

1. Vérifier que tous les raccordements, câbles d'enceintes et cordons d'alimentation du système sont fermement branchés.
2. Vérifier qu'aucun objet étranger ou liquide n'a pénétré dans l'enceinte.
3. Si aucun son n'est produit ou que le son présente une certaine distorsion et qu'on est sûr que le système est installé correctement, apporter l'enceinte au revendeur GoldenEar autorisé pour dépannage. Mais veiller à l'appeler d'abord.

Service après-vente

Le service après-vente et le recours à la garantie pour les enceintes GoldenEar sont normalement assurés par le revendeur GoldenEar local. Toutefois, pour nous renvoyer l'enceinte directement, veiller à nous contacter d'abord, décrire le problème et demander une autorisation de renvoi ainsi que l'adresse du centre de service après-vente du fabricant le plus proche.

Remarque : l'adresse indiquée dans ce document est celle de nos bureaux. Ne jamais renvoyer des produits ou des pièces à nos bureaux ni les renvoyer sans nous avoir d'abord contactés et obtenu une autorisation de renvoi.

The Quest Group dba
GoldenEar™
2621 White Road
Irvine, CA 92614 USA
Téléphone : (+1) 949-800-1800

Assistance technique

Il Nous sommes heureux d'offrir notre assistance pour toute question concernant les enceintes Invisa HTR 7000/8000 et leur installation. Veuillez vous adresser au revendeur GoldenEar le plus proche ou nous contacter directement au (+1) 949-800-1800.

Recyclage et réutilisation en Europe



En conformité avec la directive européenne DEEE (Déchets d'équipements électriques et électroniques) en vigueur depuis le 13 août 2005, nous tenons à vous informer que ce produit peut contenir des matières réglementées dont l'élimination, en vertu de la directive DEEE, suppose un traitement spécial favorisant leur recyclage et leur revalorisation. À cette fin, GoldenEar (le fabricant des enceintes GoldenEar) prend en charge par l'intermédiaire de ses distributeurs dans les pays membres de l'Union européenne la collecte et le recyclage de ce produit sans aucun frais pour vous. Pour connaître le distributeur local, adressez-vous au revendeur chez qui vous avez acheté ce produit ou visitez notre site web à www.goldenear.com.

Veillez noter que seul ce produit est couvert par la directive DEEE. Nous vous encourageons à recycler l'emballage et autres matériaux d'expédition par les moyens habituels.



Données techniques

Invisa® HTR 7000

Dimensions :	(Dia. x P) 26,8 cm x 12,6 cm (10- ¹ / ₂ " x 4- ¹⁵ / ₁₆ ")
Découpage :	22,9 cm (9") de diamètre
Poids :	2,04 kg (4 lb 8 oz)
Bande passante :	Selon le chargement arrière 35 Hz à 35 kHz
Rendement :	90 dB
Impédance nominale :	4 ohms
Haut-parleurs :	Un haut-parleur médium-grave MVPP haute définition à panier moulé de 7 pouces Un tweeter à ruban plissé haute vitesse (HVFR)
Amplification récepteur :	10 à 250 W/canal

Invisa® HTR 8000

Dimensions :	(Dia. x P) 33,5 cm x 15 cm (13- ³ / ₁₆ " x 5- ¹⁵ / ₁₆ ")
Découpage :	29,5 cm (11- ⁵ / ₈ ") de diamètre
Poids :	3,8 kg (8 lb 6 oz)
Bande passante :	Selon le chargement arrière 35 Hz à 35 kHz
Rendement :	92 dB
Impédance nominale :	4 ohms
Haut-parleurs :	Un haut-parleur médium-grave MVPP haute définition à panier moulé de 8 pouces Tweeter Reference à ruban plissé haute vitesse (HVFR) à puissant aimant néodyme
Amplification récepteur :	10 à 300 W/canal

Les caractéristiques sont sujettes à modification sans préavis.



Garantie limitée

5 ANS POUR LES HAUT-PARLEURS ET LES CAISSES, 3 ANS POUR LES COMPOSANTS ELECTRONIQUES

GoldenEar™ garantit à l'acheteur de détail initial seulement que cette enceinte GoldenEar (le « Produit ») pièces et main-d'œuvre pendant une période de cinq (5) ans pour les haut-parleurs et les caisses et de trois (3) ans pour les composants électroniques à compter de la date de l'achat initial auprès d'un revendeur GoldenEar autorisé. Toutefois, cette garantie est automatiquement résiliée avant l'expiration du délai de cinq (5) ans pour les haut-parleurs et les caisses et de trois (3) ans pour les composants électroniques si l'acheteur de détail initial revend ou cède le Produit à tout tiers. L'acheteur de détail initial est désigné par « vous » ci-après. Les produits défectueux doivent être renvoyés accompagnés d'un justificatif de la date d'achat en port payé, assurance comprise, au revendeur autorisé auprès duquel vous avez acheté le Produit ou au centre de service après-vente du fabricant le plus proche. Le ou les Produits doivent être renvoyés dans l'emballage d'expédition d'origine ou son équivalent ; dans tous les cas, les risques de perte ou de dommages durant le transport sont assumés par vous. Si, après examen par le fabricant ou un revendeur GoldenEar autorisé, il est déterminé que le produit présente un défaut de pièce ou de main-d'œuvre à tout moment durant cette période de garantie, GoldenEar ou le revendeur GoldenEar autorisé s'engage, à son entière discrétion, à réparer ou à échanger ce Produit sans frais supplémentaires, sous réserve des conditions ci-dessous. Tous les Produits et pièces échangés deviennent la propriété de GoldenEar. Les Produits échangés ou réparés en vertu de la présente Garantie nous seront renvoyés dans un délai raisonnable en port dû.

La présente Garantie ne couvre pas les pièces et la main-d'œuvre nécessaires pour réparer les dommages causés par un accident, emploi abusif ou détourné, négligence, moyens d'emballage ou d'expédition insuffisants, utilisation commerciale, tension supérieure à la valeur maximale nominale de l'appareil, problème cosmétique de la caisse non directement imputable à un défaut de pièces ou de main-d'œuvre ou entretien, réparation ou modification du Produit n'ayant pas été autorisé par GoldenEar. GoldenEar n'offre aucune Garantie sur ses Produits s'ils ont été achetés auprès de revendeurs ou commerces autres que des revendeurs GoldenEar autorisés. Cette Garantie remplace toute autre garantie expresse. Si ce Produit présente un défaut de pièces ou de main-d'œuvre couvert par la Garantie ci-dessus, votre unique recours sera sa réparation ou son échange conformément aux dispositions ci-dessus. GoldenEar ne pourra en aucun cas être tenue responsable envers vous de quelconques dommages accidentels ou indirects résultant de l'utilisation ou l'incapacité à utiliser le Produit, même si GoldenEar ou un revendeur GoldenEar autorisé a été informé de la possibilité de tels dommages, ou en cas d'une quelconque réclamation par un tiers. Certaines juridictions n'autorisent pas l'exclusion ou les limites sur les dommages indirects et les limites ci-dessus peuvent ne pas s'appliquer à vous.

Toutes les garanties implicites sur le Produit sont limitées à la durée de la présente Garantie expresse. Certaines juridictions n'autorisent pas des limites sur la durée d'une Garantie implicite et les limites ci-dessus peuvent ne pas s'appliquer à vous. La présente Garantie vous confère des droits particuliers au regard de la loi et vous pouvez également bénéficier d'autres droits qui varient d'une juridiction à l'autre.



Ce produit est conforme aux exigences essentielles de la directive CEM 89/336/CEE

Visitez www.goldenear.com

© 2021 GoldenEar. Tous droits réservés.

La reproduction en tout ou partie sans notre autorisation expresse est interdite.